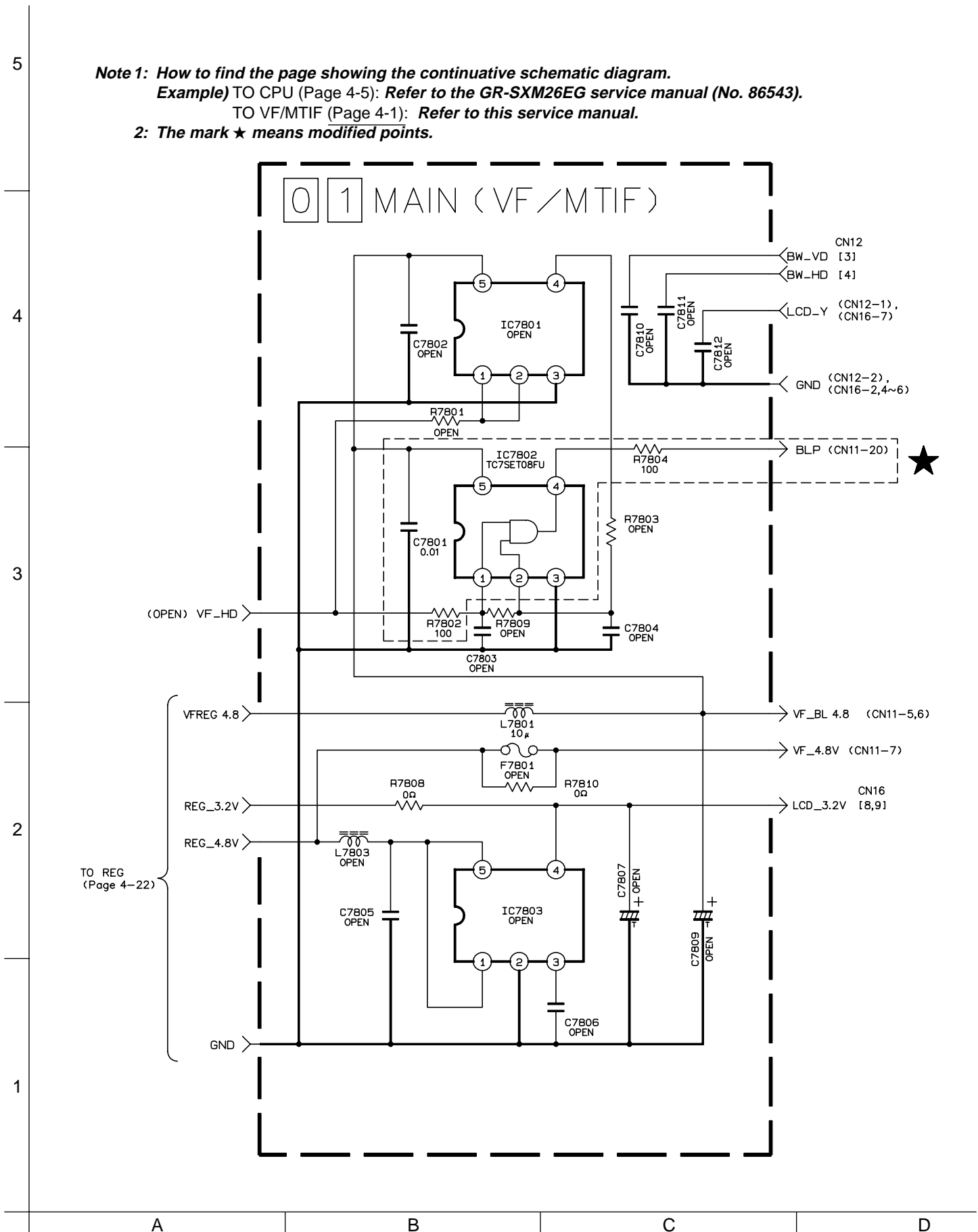


SECTION 4 CHARTS AND DIAGRAMS

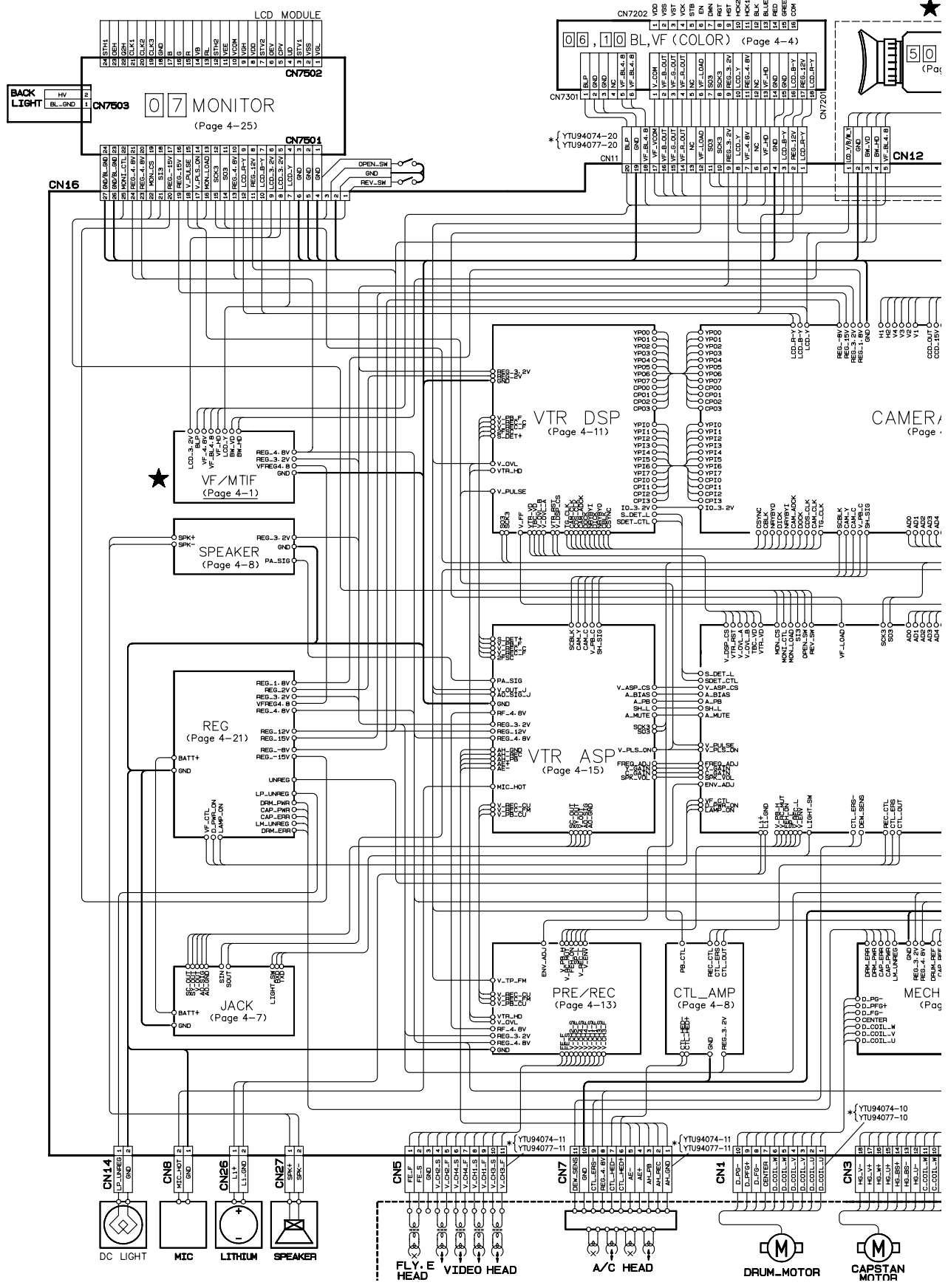
4.1 VF/MTIF SCHEMATIC DIAGRAM

Note 1: How to find the page showing the continuative schematic diagram.
Example) TO CPU (Page 4-5): Refer to the GR-SXM26EG service manual (No. 86543).
 TO VF/MTIF (Page 4-1): Refer to this service manual.
2: The mark ★ means modified points.

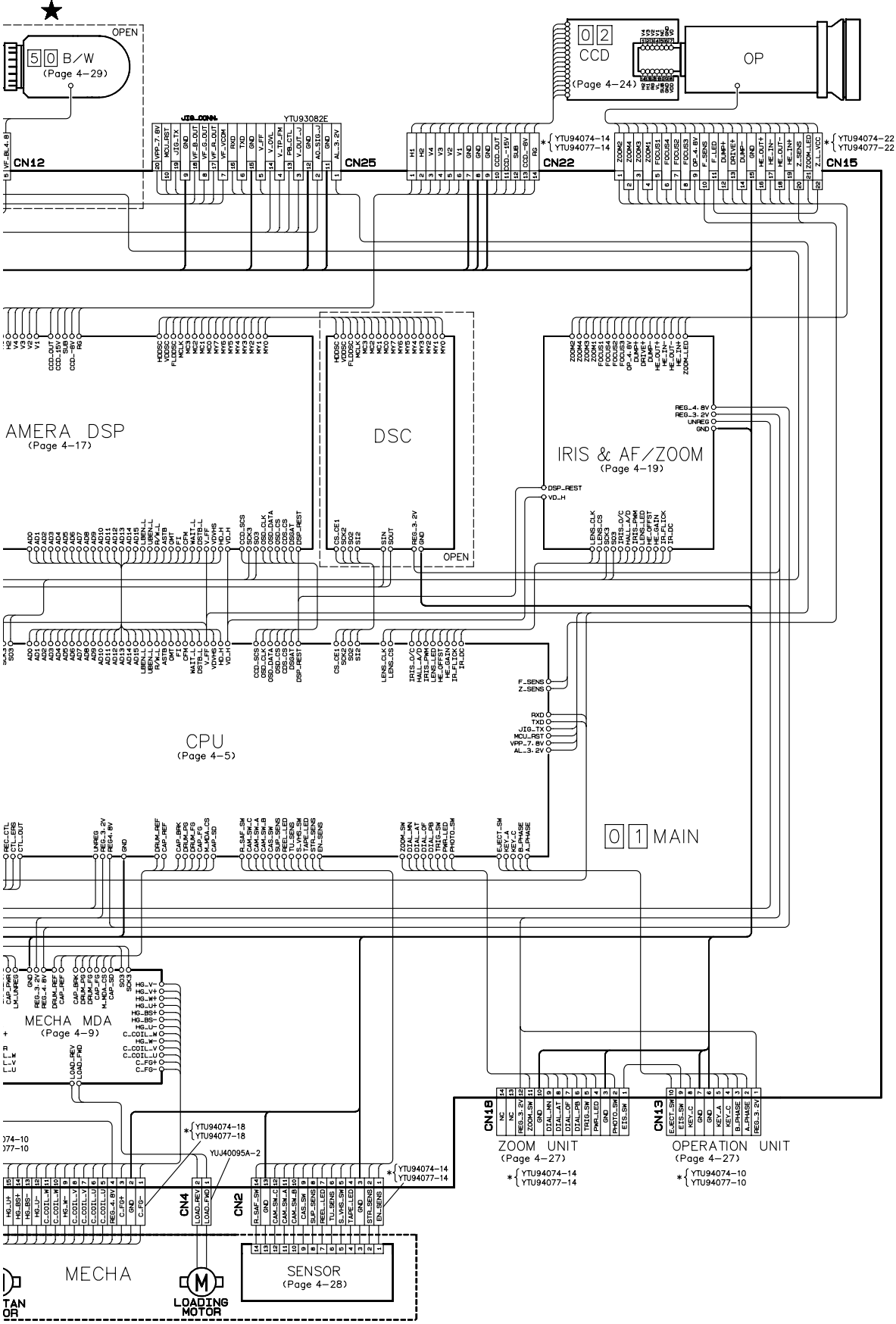


4.2 BOARD INTERCONNECTIONS

5
4
3
2
1



A B C D



★
 5 B/W
 (Page 4-29)

0 2
 CCD
 (Page 4-24)

CN12

YU94074-14
 YU94077-14

CN25

1 HI
 2 HE
 3 VA
 4 V2
 5 V1
 6 GND
 7 GND
 8 GND
 9 GND
 10 GND
 11 CCD-1EV
 12 SUB
 13 CCD-2EV
 14 GND

YU94074-14
 YU94077-14

CN22

1 ZOOM4
 2 ZOOM4
 3 ZOOM4
 4 ZOOM4
 5 ZOOM4
 6 FOCUS4
 7 FOCUS4
 8 FOCUS4
 9 FOCUS4
 10 FOCUS4
 11 F.LED
 12 DUMP
 13 DRIVE
 14 GND
 15 HE-OUT
 16 HE-IN
 17 HE-ZIN
 18 HE-ZIN
 19 Z-SENS
 20 Z-SENS
 21 ZOOM-LED
 22 Z-LL-VCC

YU94074-22
 YU94077-22

AMERA_DSP
 (Page 4-17)

DSC

IRIS & AF/ZOOM
 (Page 4-19)

CPU
 (Page 4-5)

MECHA MDA
 (Page 4-9)

0 1 MAIN

MECHA
 TANK
 OFF

MECHA MOTOR
 LOADING
 MOTOR

SENSOR
 (Page 4-28)

ZOOM UNIT
 (Page 4-27)
 * YU94074-14
 YU94077-14

OPERATION UNIT
 (Page 4-27)
 * YU94074-10
 YU94077-10

4.3 ELECTRONIC VIEWFINDER SCHEMATIC DIAGRAM

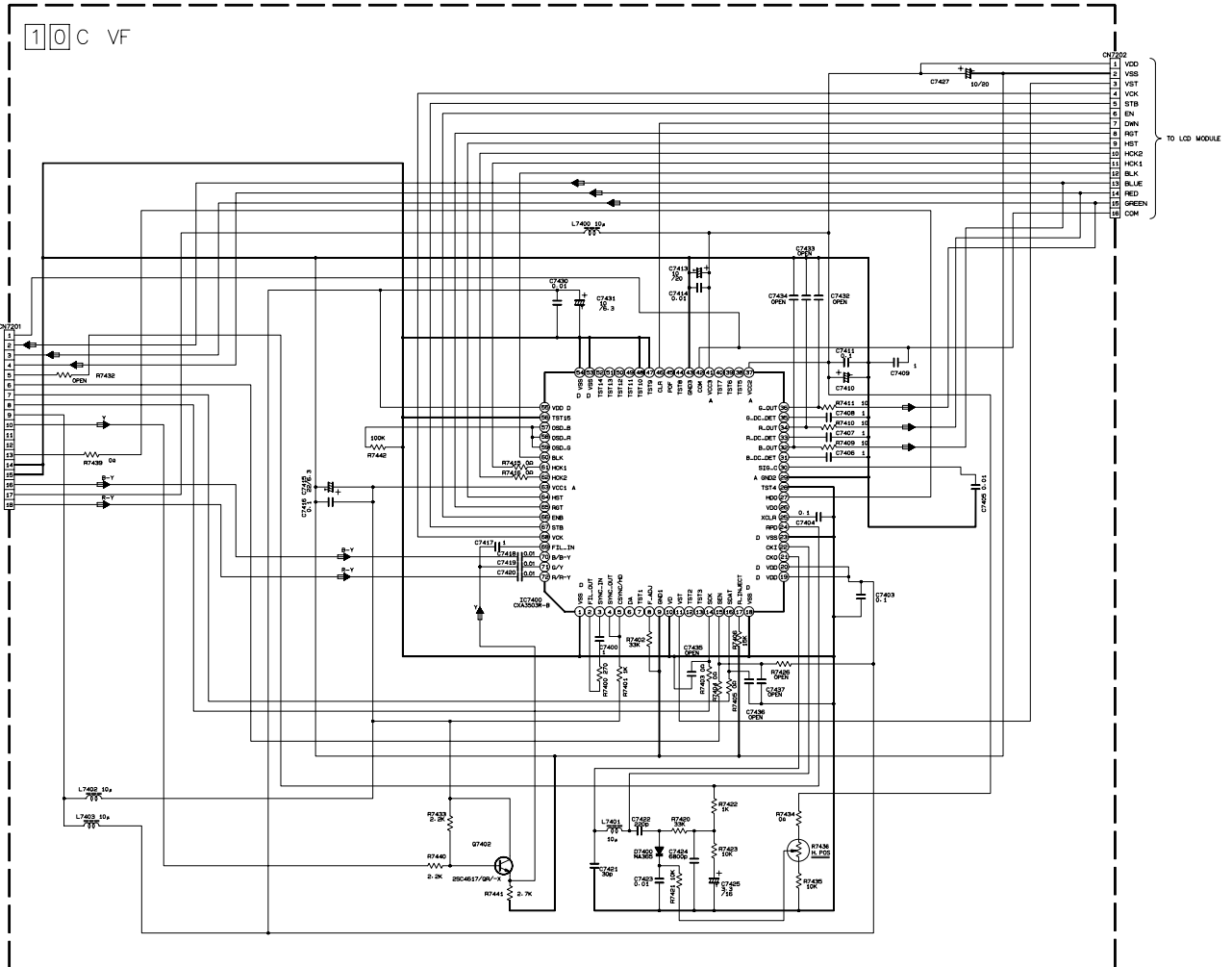
5

4

3

2

1



A

B

C

D

